

Installation Instructions Free-Standing Electric Ranges

? Questions? Call 1.800.561.3344 or Visit our Website at:
www.geappliances.ca

BEFORE YOU BEGIN

Read these instructions completely and carefully.

- **IMPORTANT**—Save these instructions for local inspector's use.
- **IMPORTANT**—Observe all governing codes and ordinances.
- **Note to Installer** – Be sure to leave these instructions with Consumer.
- **Note to Consumer** – Keep these instructions for future reference.
- **Skill level** – Installation of this appliance requires a qualified installer or electrician.
- Proper installation is the responsibility of the installer.
- Product failure due to improper installation is not covered under warranty.

⚠ WARNING— This appliance must be properly connected by means of the supplied cord and plug. If your kitchen does not have a receptacle, you must have one installed by a licensed electrician.

FOR YOUR SAFETY:

⚠ WARNING

- All ranges can tip.
- BURNS or other SERIOUS INJURIES can result.
- INSTALL and CHECK the ANTI-TIP bracket following the instructions supplied with the bracket.



If you did not receive an anti-tip bracket with your purchase, call 1.800.561.3344 to receive one at no cost. For installation instructions of the bracket, visit: www.geappliances.ca.

⚠ WARNING— Before beginning the installation, switch power off at service panel and lock the service disconnecting means to prevent power from being switched on accidentally. When the service disconnecting means cannot be locked, securely fasten a prominent warning device, such as a tag, to the service panel.

TOOLS YOU WILL NEED:

- Drill with 1/8" Bit
- Tape Measure
- Level
- Safety Glasses
- Pliers
- Adjustable Wrench
- 1/4" Nut Driver

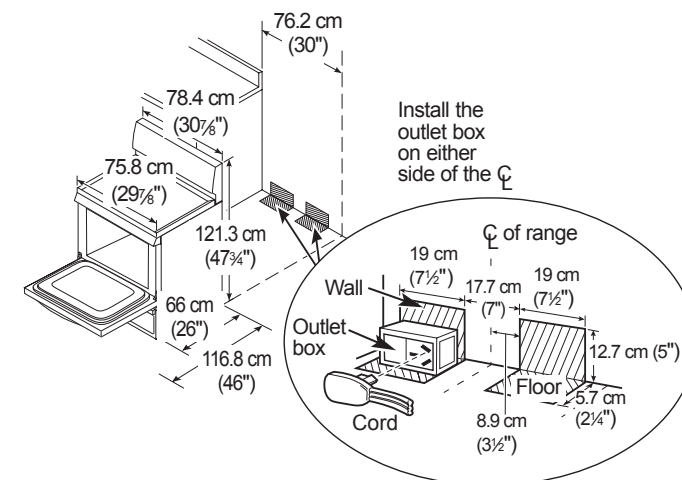
1 REMOVE PACKAGING MATERIALS:

Failure to remove packaging materials could result in damage to the appliance. Remove all packing parts from oven, racks, heating elements and drawer. Also, remove protective film and labels on the outer door, cooktop and backguard.

NOTE: Cut the orange shipping ties from the power cord, being careful not to damage the cord.

2 PREPARE THE OPENING (FOR INDOOR USE ONLY)

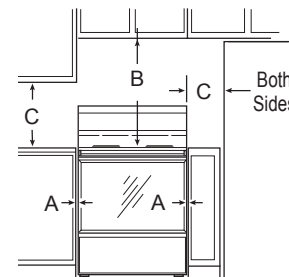
See illustrations for all rough-in and spacing dimensions.



NOTE: Use a 1.2 m (4') power cord to prevent interference with the storage drawer. Power cords 1.4 to 1.8 m (4½' to 6') long may have to be dressed to allow for proper drawer closing.

MINIMUM DIMENSIONS BETWEEN COOKTOP, WALLS AND ABOVE THE COOKTOP:

- A. The range must be placed with 12 mm (1/2") minimum clearance at the back wall and side walls of the cabinet. Make sure the wall covering, countertop, flooring and cabinets around the range can withstand the heat (up to 93.3 °C/200°F) generated by the range.
- B. Allow 76.2 cm (30") minimum clearance between surface units and bottom of unprotected wood or metal cabinet, or allow a 60 cm (24") minimum when bottom of wood or metal cabinet is protected by no less than 0.6 cm (1/4") thick flame retardant millboard covered with not less than No 28 MSG sheet metal (.015"), .015" thick stainless steel, .024" aluminum or .020" copper.
- C. A 15.2 cm (6") spacing to surfaces less than 38.1 cm (15") above the cooktop is recommended to reduce exposure to steam, grease splatter and heat.



To reduce the risk of burns or fire when reaching over hot surface elements, cabinet storage space above the cooktop should be avoided. If cabinet storage space is to be provided above the cooktop, the risk can be reduced by installing a range hood that projects at least 12.7 cm (5") beyond the front of the cabinets. Cabinets installed above the cooktop must be no deeper than 33 cm (13").

Flooring under the range

Your range, like many other household items, is heavy and can settle into soft floor coverings such as cushioned vinyl or carpeting.

When moving the range on this type of flooring, it should be installed on a 6 mm (1/4") thick sheet of plywood (or similar material) as follows:

When the floor covering ends at the front of the range, the area that the range will rest on should be built up with plywood to the same level or higher than the floor covering. This will allow the range to be moved for cleaning or servicing.

3 ANTI-TIP DEVICE INSTALLATION



⚠ WARNING

- All ranges can tip.
- BURNS or other SERIOUS INJURIES can result.
- INSTALL and CHECK the ANTI-TIP bracket following the instructions supplied with the bracket.

To reduce the risk of tipping the range, the range must be secured by a properly installed anti-tip bracket. See installation instructions shipped with the bracket for complete details before attempting to install.

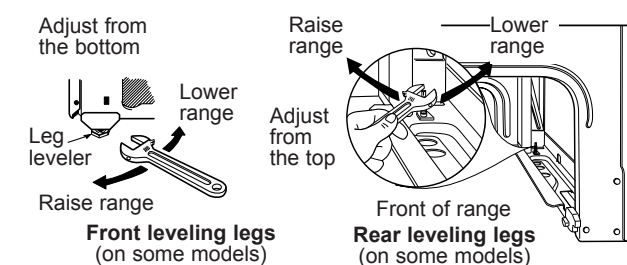
To check if the bracket is installed and engaged properly, remove the storage drawer or kick panel and look underneath the range to see that the leveling leg is engaged in the bracket. On models without a storage drawer or kick panel, carefully tip the range forward. The bracket should stop the range within 4 inches. If it does not, the bracket must be reinstalled. If the range is pulled from the wall for any reason, always repeat this procedure to verify the range is properly secured by the anti-tip bracket. Never completely remove the leveling legs or the range will not be secured to the anti-tip device properly.

4 LEVEL THE RANGE

⚠ WARNING: Never completely remove the leveling leg as the range will not be secured to the anti-tip device properly.

MODELS WITHOUT BAKING OR WARMING DRAWERS

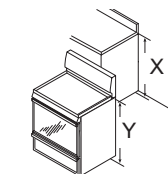
- A. Install the oven racks in the oven and position the range where it will be installed.
- B. Check for levelness by placing a spirit level or a cup, partially filled with water, on one of the oven racks. If using a spirit level, take two readings—with the level placed diagonally first in one direction and then the other.
- C. Remove the storage drawer, broiler drawer or kick panel. The front leveling legs can be adjusted from the bottom and the rear legs can be adjusted from the top.



- D. Use an open-end or adjustable wrench to adjust the leveling legs until the range is level.
- E. Replace the drawer or panel.

MODELS WITH BAKING OR WARMING DRAWERS

- A. Plug in the range.
- B. Measure the height of your countertop at the rear of the opening (X).
- C. Adjust two rear leveling legs so that the rear of cooktop is at the same height as the counter (Y).
- D. Slide unit into place.
- E. Install oven racks in the oven and position the range where it will be installed.
- F. Check for levelness by placing a spirit level on one of the oven racks. Take two readings—with the level placed diagonally first in one direction and then the other.
- G. Adjust front leveling legs until the range is level.



5 FINAL INSTALLATION CHECKLIST

- Check to make sure the circuit breaker is closed (RESET) or the circuit fuses are replaced.
- Be sure power is in service to the building.
- **Note (on some models):** If the clock flashes "bAd" and then "LinE" with a loud tone, the neutral connection to the range is miswired. Check the terminal block connections and/or house wiring to correct.
- Check to be sure that all packing materials and tape have been removed. This will include tape on metal panel under control knobs (if applicable), adhesive tape, wire ties, cardboard and protective plastic. Failure to remove these materials could result in damage to the appliance once the appliance has been turned on and surfaces have heated.
- Check to make sure that the door and drawer are parallel to each other and that both operate smoothly. If they do not, see the Owner's Manual for proper replacement.
- Check to make sure that the rear leveling leg is fully inserted into the Anti-Tip bracket and that the bracket is securely installed.

OPERATION CHECKLIST

- Turn on one of the surface units to observe that the element glows within 60 seconds. Turn the unit off when glow is detected. If the glow is not detected within the time limit, recheck the range wiring connections. If change is required, retest again. If no change is required, have building wiring checked for proper connections and voltage.
- Check to make sure the Clock (on models so equipped) display is energized. If a series of horizontal red lines appear in the display, disconnect power immediately. Recheck the range wiring connections. If change is made to connections, retest again. If no change is required, have building wiring checked for proper connections and voltage. It is recommended that the clock be changed if the red lines appear.
- Be sure all range controls are in the OFF position before leaving the range.

6 MODEL AND SERIAL NUMBER LOCATION

The rating plate is located above the drawer on the oven frame or on the side of the drawer frame.

